**FAG****53204**

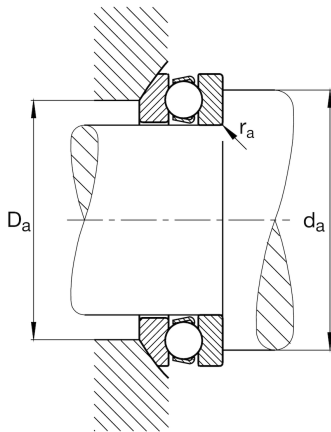
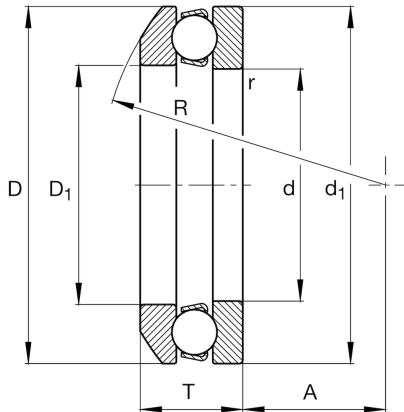
Axial deep groove ball bearing

Schaeffler ID:
0167157560000

Axial deep groove ball bearing 532, single direction, with spherical housing washer, steel sheet metal cage

Technical information

Main Dimensions & Performance Data



d	20 mm	Bore diameter
D	40 mm	Outside diameter
T	14.7 mm	Height
C_a	21,100 N	Basic dynamic load rating, axial
C_{0a}	37,500 N	Basic static load rating, axial
C_{ua}	1,700 N	Fatigue load limit, axial
n_G	8,500 1/min	Limiting speed
n_{gr}	11,600 1/min	Reference speed
	0.08 kg	Weight

Dimensions

r_{min}	0.6 mm	Minimum chamfer dimension
D_1	22 mm	Bore diameter housing washer
d_1	40 mm	Lip diameter shaft washer
R	36 mm	Radius spherical housing washer
A	18 mm	Distance of the center point
T_1	17 mm	Height with seat washer

Mounting dimensions

$d_{a min}$	32 mm	Minimum diameter shaft shoulder
$D_{a max}$	30 mm	Maximum diameter of housing shoulder
$r_{a max}$	0.6 mm	Maximum recess radius

Additional information

A	0.007	Minimum load factor
	U204	Seat washer

Temperature range

T_{min}	-30 °C	Operating temperature min.
T_{max}	150 °C	Operating temperature max.